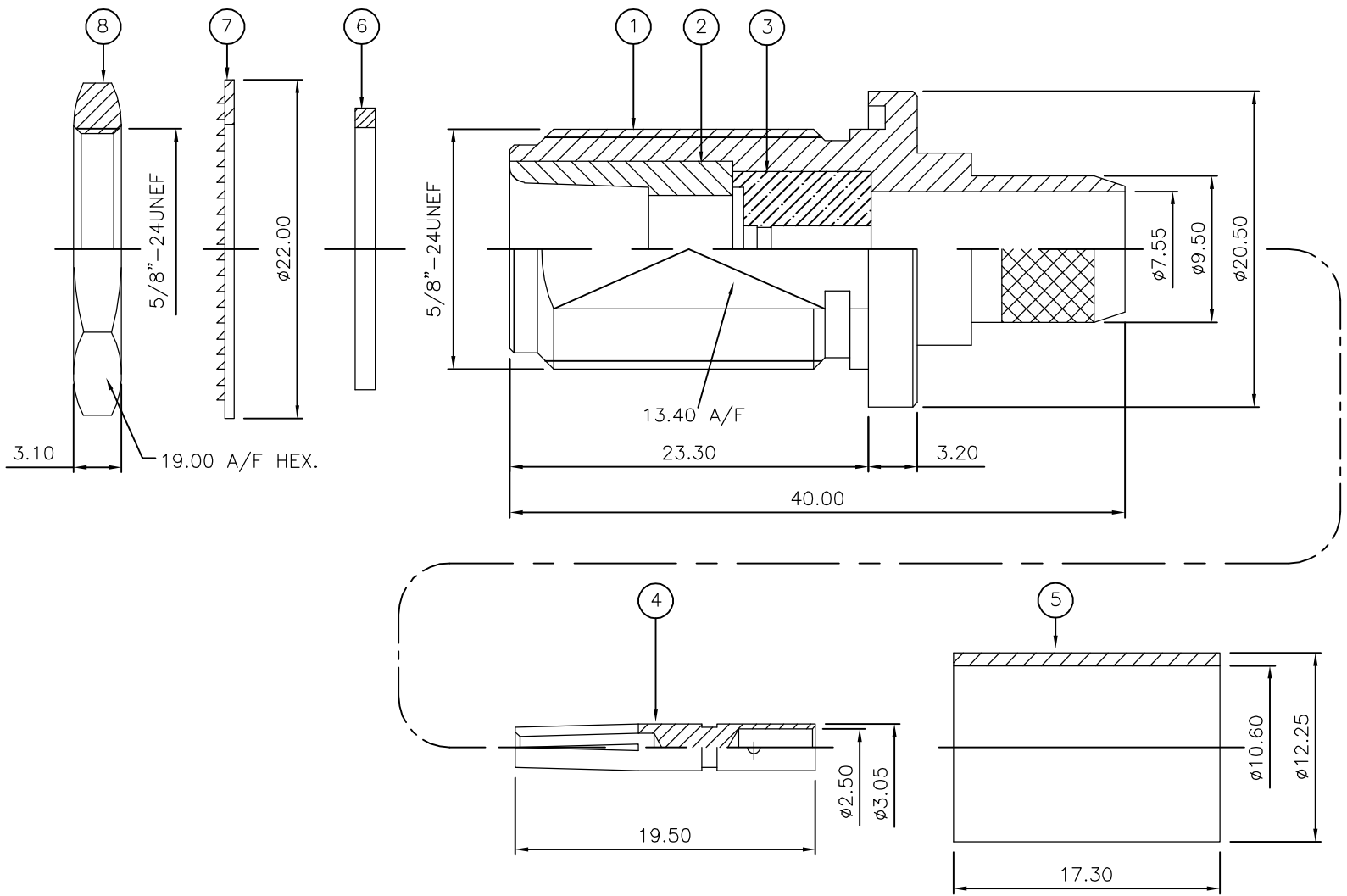


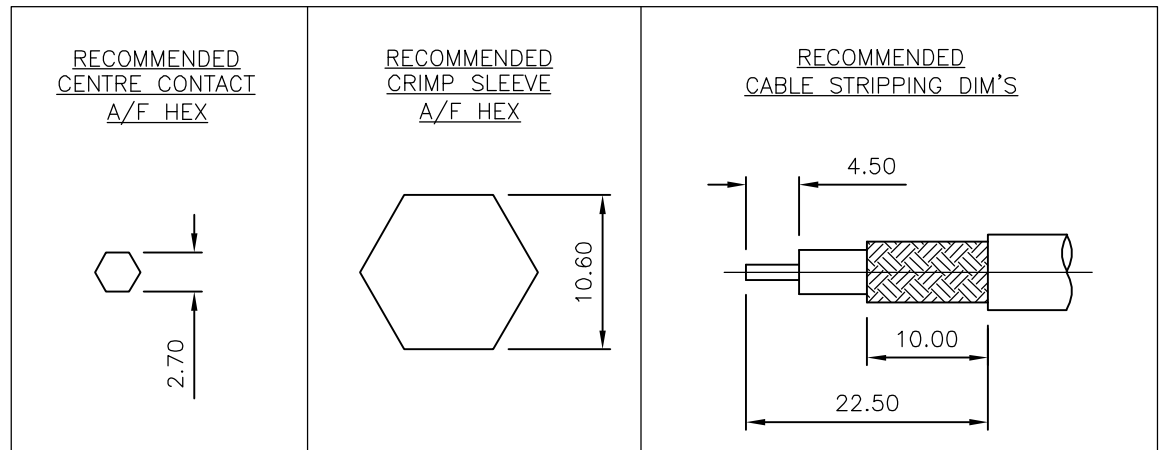
THIS DRAWING IS UNPUBLISHED. RELEASED FOR PUBLICATION AUGUST, 2006.  
 © COPYRIGHT 2006 BY TYCO ELECTRONICS CORPORATION. ALL RIGHTS RESERVED.

LOC	DIST	REVISIONS					
E	B	P	LTR	DESCRIPTION	DATE	DWN	APVD
		B		ECR-06-018891	22AUG06	JMS	FWK

- NOTES:**
- 1 PACK IN ACCORDANCE WITH AMP SPEC 107-3275
  - 2 100 TRAY PACK IN ACCORDANCE WITH AMP SPEC 107-3275
  - 3 Ag PLATING
  - 4 THIS ITEM MUST BE WHITE
  - 5 HAND TOOL : 9-1478240-0
  - 6 DIE SET : 9-1478246-0
  - 7 ELECTRICAL CHARACTERISTICS  
 FREQUENCY RANGE: DC - 11 GHz  
 NOMINAL IMPEDANCE: 50 Ohm  
 INSULATION RESISTANCE: 5000 MOhm  
 WORKING VOLTAGE: 1000 Volts RMS at Sea Level  
 DIELECTRIC WITHSTAND VOLTAGE: 2500 Volts RMS Max  
 CONTACT RESISTANCE:  
 CENTRE CONTACT: 1.00 mOhm Max  
 OUTER CONTACT: 1.00 mOhm Max  
 VSWR @ 4GHz: 1.30:1 Max  
 INSERTION LOSS dB @ x 4 GHz: 0.30 Max
  - 8 MECHANICAL CHARACTERISTICS  
 COUPLING NUT RETENTION FORCE: N/A  
 CABLE RETENTION FORCE: 350N Min  
 MOUNT NUT RECOMMENDED TORQUE: 6N  
 DURABILITY: 500 Cycles Min
  - 9 ENVIRONMENTAL CHARACTERISTICS  
 OPERATING TEMPERATURE: -65 to +165 DegC
  - 10 FOR TECHNICAL DATA REFER TO YOUR LOCAL TYCO ELECTRONICS SALES OFFICE
  - 11 ALL DIMENSIONS ARE NOMINAL FOR REFERENCE ONLY UNLESS OTHERWISE STATED



QTY	PLC	DESCRIPTION	ITEM
1	1	BRASS	3 HEXAGONAL NUT 8
1	1	STEEL	3 LOCKWASHER 7
1	1	SILICONE RUBBER	4 GASKET 6
1	1	BRASS	3 FERRULE 5
1	1	BRASS	3 CONTACT 4
1	1	PTFE	INSULATION 3
1	1	BRASS	3 CHASSIS 2
1	1	BRASS	3 BODY 1
6--0	1--0	MATERIAL	DESCRIPTION ITEM



THIS DRAWING IS A CONTROLLED DOCUMENT.		DWN J.SANDWELL 22AUG06	Tyco Electronics Corporation Bideford EX39 4HE	
DIMENSIONS: mm		CHK S.PARLOW 22AUG06		
TOLERANCES UNLESS OTHERWISE SPECIFIED:		APVD F.WHEELER-KING 22AUG06	NAME TYPE 'N' BULKHEAD JACK REAR MNT CRIMP 50 OHM PSF1/4M, RG8A/U, 213/U, URM67, KX4	
0 PLC ± -		PRODUCT SPEC	APPLICATION SPEC	
1 PLC ± -		411-3247	SIZE A3	
2 PLC ± -		WEIGHT -	CAGE CODE 00779	
3 PLC ± -		CUSTOMER DRAWING	DRAWING NO C-1478213	
4 PLC ± -			RESTRICTED TO -	
ANGLES ± -			SCALE NTS	
FINISH -			SHEET 1 OF 1	
			REV B	